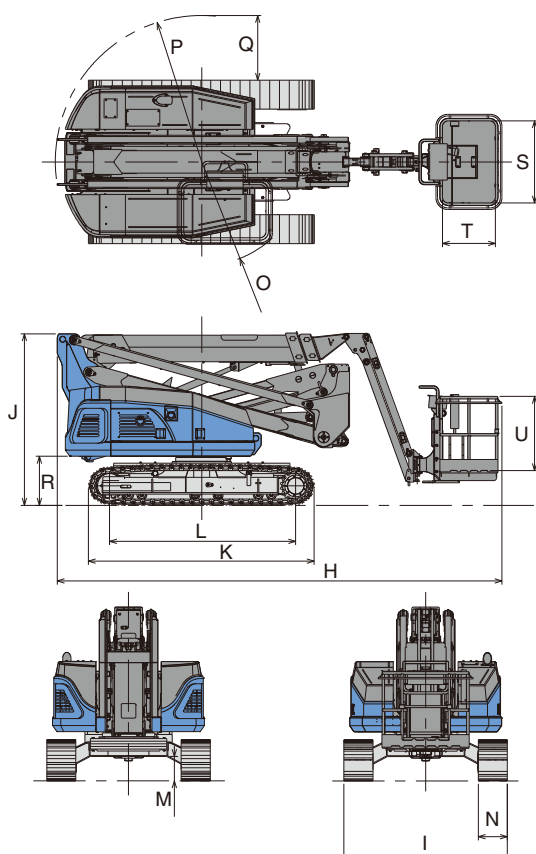
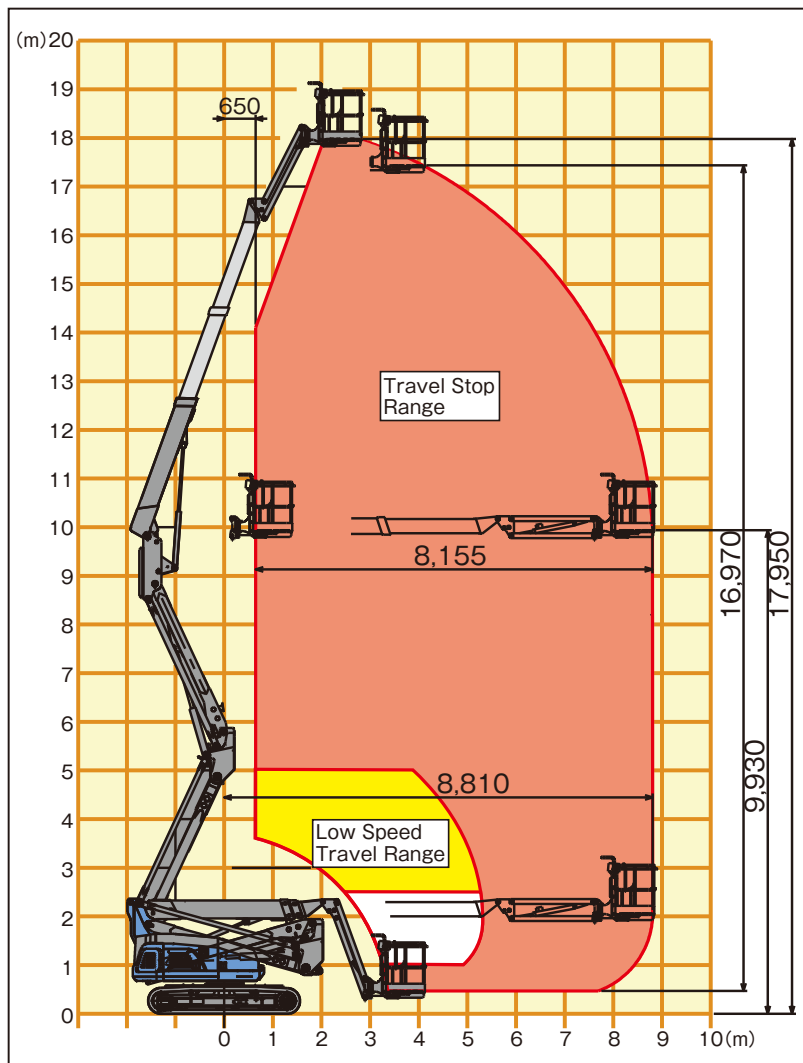


Working Range and Machine Size



Working Range

A Max Platform Radius	mm	8,810
B Min Platform Radius	mm	650
C Max Horizontal Movement Length (Height)	mm	8,155(9,930)
D Max Platform Height	mm	17,950
E Max Platform Height(Lift)	mm	9,930
F Max Vertical Rising Height	mm	16,970
G Platform Swing Angle(Left/Right)	°	90/45

Machine Size

H Total Length	mm	6,120
I Total Width	mm	2,250
J Total Height	mm	2,365
K Crawler Total Length	mm	3,120
L Tumbler Centre Distance	mm	2,590
M MinGroundClearance	mm	330
N Crawler Shoe Width	mm	400
O Min Rotating Radius	mm	1,430
P Rear End Slewing Radius	mm	2,015
Q Machine Width Max Slewing Margin	mm	890
R Swivel Base Bottom Clearance	mm	670
S Platform Interior Widthe	mm	1,130
T Platform Interior Length	mm	730
U Platform Interior Height	mm	1,020